

DRM Technic

Suppliers of Gas Analysis Equipment



AGF-T-30 SAMPLE GAS FILTER HOUSING

AGF-T-30 Sample Gas Filter Housings are specified for applications featuring corrosive components which would be harmful to other types of filter housing.

FEATURES

**Filter HEad made of Solid PTFE | PTFE Seal | Highly Corrosion Resistant | Little or No Absorption of Trace Gases
Fast Response | Versatile Mounting Bracket | PTFE Filter Elements with Pore Size of 2 µm or 25 µm**

SPECIFICATIONS

Housing (delivery includes one filter element)

AGF-T-	30-S2	30-S2-KU	30-F2	30-F25	30-F2-L	30-F25-L
Filter Head	PTFE	PTFE	PTFE	PTFE	PTFE	PTFE
Filter Bowl	Glass	Glass	Glass	Glass	Glass	Glass
Seal	Viton with PTFE Jacket	Viton with PTFE Jacket	Viton with PTFE Jacket	Viton with PTFE Jacket	Viton with PTFE Jacket	Viton with PTFE Jacket
Max. Temp.	100 °C	100 °C	100 °C	100 °C	100 °C	100 °C
Max. Pressure	4 bar	4 bar	4 bar	4 bar	4 bar	4 bar
Port Size	2 µm	2 µm	2 µm	25 µm	2 µm	25 µm
Element	S2	S2KU	F2	F25	F2L	F25L
Dead Volume	57 ml	50 ml	57 ml	57 ml	108 ml	108 ml
Weight (Approx.)	0.41 kg	0.35 kg	0.35 kg	0.35 kg	0.43 kg	0.43 kg

Spare Filter Elements

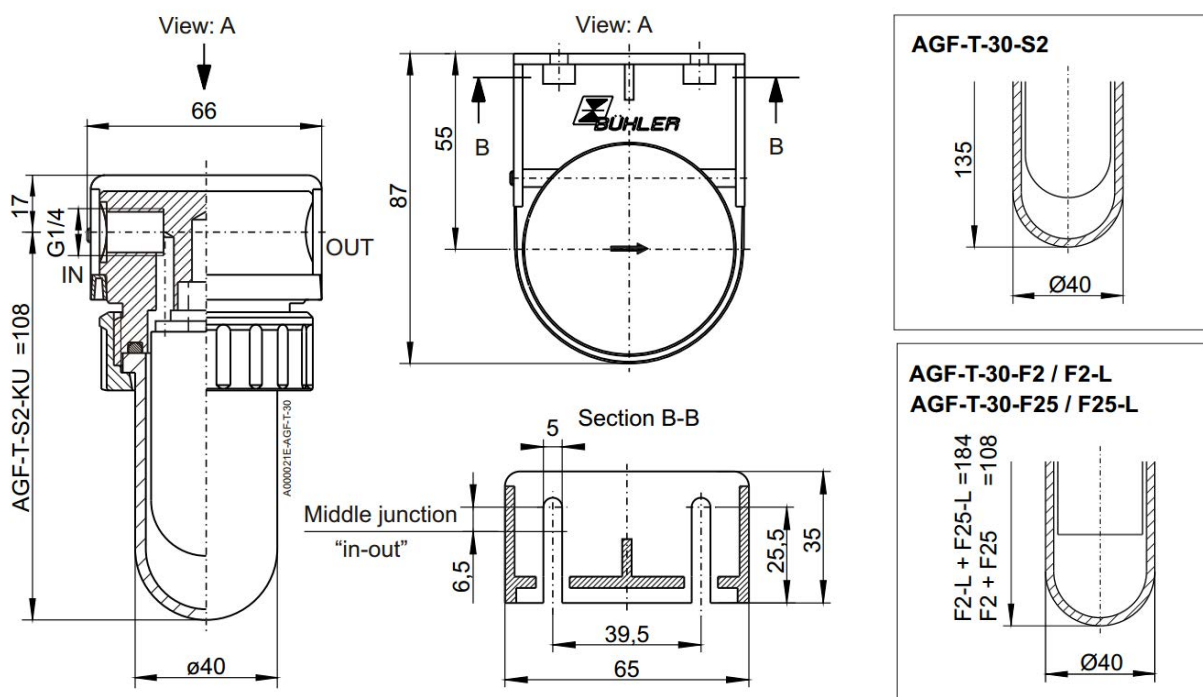
Type	Elements	Material	Pore Size	Surface Area	Package	Range of Use
S2	Husk	Glass Fibre	2 µm	80 cm ²	5 / 25 pcs	Group IIC
S2KU	Husk	Glass Fibre	2 µm	61 cm ²	5 / 25 pcs	Group IIC
F2	PTFE Sintered	PTFE	2 µm	60 cm ²	5 pcs	Group IIB
F25	PTFE Sintered	PTFE	25 µm	60 cm ²	5 pcs	Group IIB
F2L	PTFE Sintered	PTFE	2 µm	125 cm ²	2 pcs	Group IIB
F25L	PTFE Sintered	PTFE	25 µm	125 cm ²	2 pcs	Group IIB

For more information, please contact our sales department

DRM Technic

Suppliers of Gas Analysis Equipment

TECHNICAL DRAWINGS



ORDERING INFORMATION

Product No.	Description
4151399	AGF-T-30-S2 Sample Gas Filter Housing w/ 1x Filter Element
4151499	AGF-T-30-S2-KU Sample Gas Filter Housing w/ 1x Filter Element
4151799	AGF-T-30-F2 Sample Gas Filter Housing w/ 1x Filter Element
4151199	AGF-T-30-F25 Sample Gas Filter Housing w/ 1x Filter Element
4151099	AGF-T-30-F25-L Sample Gas Filter Housing w/ 1x Filter Element
41010010	S2 Spare Filter Elements
41010140	S2KU Spare Filter Elements
41030050	F2 Spare Filter Elements
41020130	F25 Spare Filter Elements
41020050	F2L Spare Filter Elements
41010120	F25L Spare Filter Elements