

DRM Technic

Suppliers of Gas Analysis Equipment



ADF-PV-30-L ABSORBER HOUSING

In some analyzer system designs, removal of gas components by adsorbent or absorbent techniques may be required.

For this purpose, Bühler offers a modified filter which can be filled with the appropriate sorbent material.

The gas enters at the bottom of the unit and exits at the top, maximizing contact time with the sorbent material.

FEATURES

Bühler Unique QC Bracket | Simple and Quick Change of Sorbent Materials without Tools
Wall Mounting is Possible in Any Direction

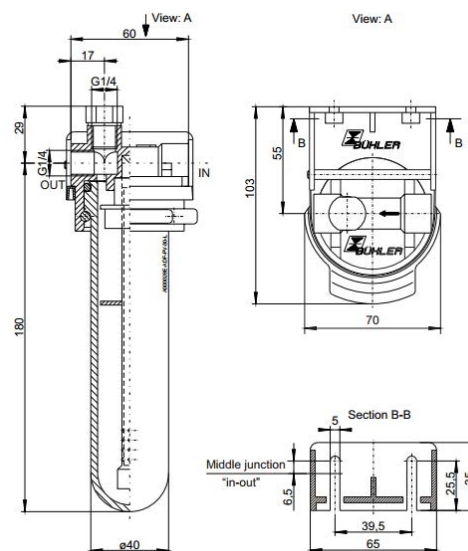
SPECIFICATIONS

Product No.	ADF-PV-30-L
Filter Head	PVDF
Filter Bowl	Glass
Seal	Viton
Temperature (Max.)	100 °C (without sorbent medium)
Pressure (Max.)	4 bar
Volume	120 ml
Weight	Approx. 0.3 kg

OPTIONS AND ACCESSORIES

Product No.	Description
4152099	ADF-PV-30-L Absorber Housing (without Absorption Material)

TECHNICAL DRAWINGS



For more information, please contact our sales department