



OFFICIAL UK DISTRIBUTORS FOR:



DRM Technic

Suppliers of Gas Analysis Equipment

TC-MINI SAMPLE GAS COOLER

Sample Gas Coolers are used to keep the dewpoints of gas sample stable, even under harsh ambient conditions. The TC-Mini is a small but compact gas cooler, particularly suited for OEMs to build into compact sample gas conditioning systems.



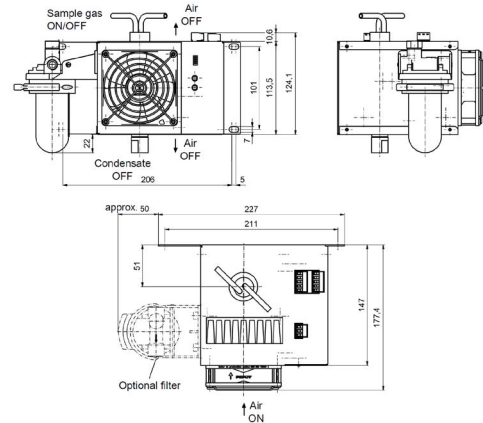
FEATURES

Peltier Cooler with 1 Heat Exchanger | Status Display and Output | Analog Signal Output | Adjustable Dew Point | Maintenance Free | Low Operating Noise

SPECIFICATIONS

Product No.	TC-Mini
Ready for Operation	After 10 min (max)
Ambient Temp.	5 °C to 55 °C
Gas Output Temp	5 °C (preset)
Protection Class	IP 20
Housing	Stainless Steel
Dimensions	235 x 225 x 280 mm (w/o add-on filter)
Weight	3.5 kg (w/ heat exchanger)
Power Supply	24 V DC
24V Output	Max. 1 A
Power Input	Max. 70 VA (+ max. 25 VA at the 24V output)
Status Output Switching Capacity	33 V AC / 70 V DC, 1 A
Electrical Connections	Phoenix Plug (Std. Applications)

TECHNICAL DRAWINGS



OPTIONS AND ACCESSORIES

Product No.	Description
Heat Exchanger Options	
MTS / MTS-I	Stainless Steel Heat Exchanger
MTG	Glass Heat Exchanger
MTV / MTS-I	PVDF Heat Exchanger
Additional Options	
FF-3-N	Moisture Detector
AGF-PV-30-F2	Filter

For more information, please contact our sales department (contact details below)

CONTACT US: DRM Technic, 4 Cherry Orchard, Newcastle-under-Lyme, Staffordshire, UK, ST5 2UB

DRM/TCMN/250216/001 Tel: +44 (0) 1782 638491 | Email: sales@drmtechnic.com | Web: www.drmtechnic.com

DRM/TCMN/250216/001