



OFFICIAL UK DISTRIBUTORS FOR:



DRM Technic

Suppliers of Gas Analysis Equipment



PKE 42 SAMPLE GAS COOLER

The PKE 42 Sample Gas Cooler is a peltier gas cooler with up to two gas paths. It maintains a constant outlet dew point of 40 °F with an electronic controller.

FEATURES

**Compact Design | Quick Installation | Low Noise | No Maintenance Required | 1 or 2 gas paths
Cooling Temperature Display | Status Display | Efficient Heat Exchangers in SS, Glass and PVDF**

SPECIFICATIONS

| Product No. | PKE 42 |
|----------------------------------|---|
| Ready for Operation | After max. 10 minutes |
| Cooling Capacity (at 75 °F) | 113 Btu/hr |
| Ambient Temperature | 40 °F tp 120 °F |
| Factory Set Dew Point | 5 °C (40 °F) |
| Dew Point Noise (Static) | 0.1 K |
| Drift Over Full Specified Range | 350 x 220 x 220mm |
| Power Supply | 115 V or 230 V, 50/60 Hz, plug DIN 43650 |
| Power Consumption | Mx. 350 VA |
| Status Output - Electronic Spec. | Max. 230 V AC / 150 V DC, 2A, 50 VA, dry contacts |
| Status Output - Plug | DIN 43650 |
| Protection Class | IP 20 |
| Housing | Stainless Steel |
| Weight | Approx. 24 lb |

OPTIONS AND ACCESSORIES

| Product No. | Description |
|-------------|--|
| 4510008 | Automatic Condensate Drain AK 5.2 |
| 4410005 | Condensate Vessel GL1, 0.4 l |
| 9124030104 | Peristaltic Pump 0.3 l/h, 230 V, for separate mounting |
| 9124030105 | Peristaltic Pump 0.3 l/h, 115V, for separate mounting |

CONTACT US: DRM Technic, 4 Cherry Orchard, Newcastle-under-Lyme, Staffordshire, UK, ST5 2UB

Tel: +44 (0) 1782 638491 | Email: sales@drmtechnic.com | Web: www.drmtechnic.com

DRM/PKE42/
200716/001

DRM/PKE42/
200716/001



OFFICIAL UK DISTRIBUTORS FOR:



DRM Technic

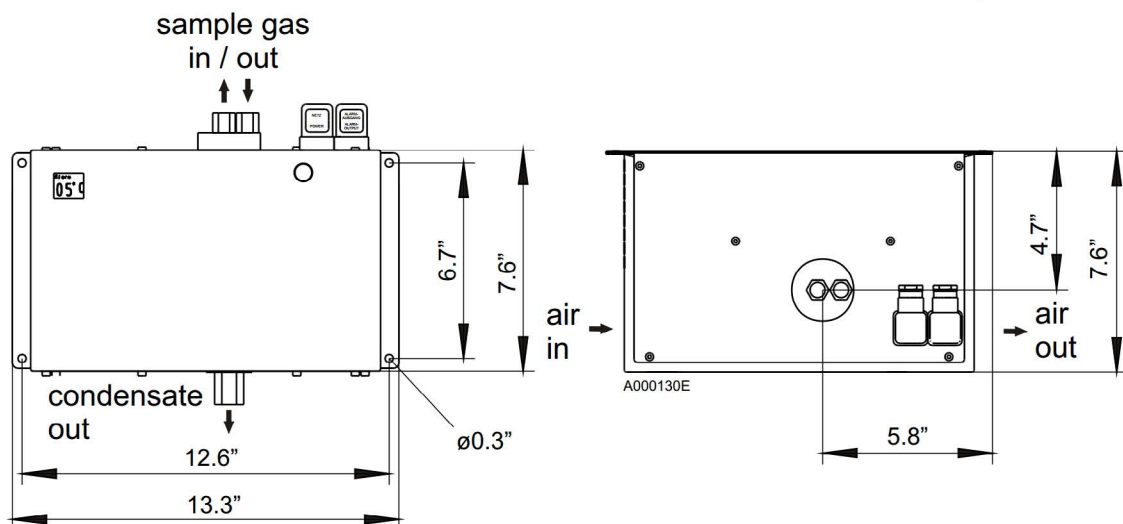
Suppliers of Gas Analysis Equipment

HEAT EXCHANGERS

| Heat Exchanger | TS | TG | TV-SS | DTS | DTG | DTV ³ |
|--|-----------------------|-------------|-------------|-------------------|-------------------|-------------------|
| Flow Rate v_{max} ¹ | 8.3 lpm | 6.7 lpm | 3.9 lpm | 2 x 4.2 lpm | 2 x 3.3 lpm | 2 x 2.7 lpm |
| Inlet dew point $\tau_{e,max}$ ¹ | 175 °F | 175 °F | 150 °F | 175 °F | 150 °F | 150 °F |
| Gas Inlet Temperature $\vartheta_{G,max}$ ¹ | 355 °F | 285 oF | 285 oF | 355 oF | 285 oF | 285 oF |
| Max. Cooling Capacity Q_{max} | 427 Btu/hr | 218 Btu/hr | 114 Btu/hr | 427 Btu/hr | 218 Btu/hr | 175 Btu/hr |
| Gas Pressure p_{max} | 2321 psig | 44 psig | 44 psig | 363 psig | 44 psig | 29 psig |
| Pressure Drop Δ (v=2.5 lpm) | 0.12 psig | 0.12 psig | 0.12 psig | each 0.07 psig | each 0.07 psig | each 0.22 psig |
| Dead Volume V_{tot} | 4.2 cu. in. | 2.9 cu. in. | 7.9 cu. in. | 1.7 / 1.5 cu. in. | 1.7 / 1.5 cu. in. | 1.3 / 1.3 cu. in. |
| Sample Gas Connections | G 1/4" i ² | GL 14 | DN 4/6 | tube 6mm | GL 14 | DN 4/6 |
| Condensate Outlet Connections | G 3/8" i ² | GL 25 | G 3/8" i | tube 10mm | GL 18 | DN 4/6 |

¹ Max. Cooling Capacity of the Cooler must be considered | ² NPT-threads upon request | ³ Can only be used with peristaltic pumps

TECHNICAL DRAWINGS



For more information, please contact our sales department

CONTACT US: DRM Technic, 4 Cherry Orchard, Newcastle-under-Lyme, Staffordshire, UK, ST5 2UB

Tel: +44 (0) 1782 638491 | Email: sales@drmtechnic.com | Web: www.drmtechnic.com

DRM/PKE42/
200716/001