

DRM Technic

Suppliers of Gas Analysis Equipment

EGK 4S SAMPLE GAS COOLER

A compressor-type cooling system connected to a cooling block, capable of serving four separate gas streams at once, with an LED display.



FEATURES

**Compact Design | Easy to Install | CFC-Free | Wall or Rack Mountable | Reliable Cooling System
Up to 4 Gas Streams | Temperature Display | Feet, Handles or Mounting Brackets Available**

SPECIFICATIONS

Product No.	EGK 4S
Ready for Operation	Max. 15 min
Cooling Capacity (at 25 °C)	800 kJ/h
Ambient Temperature	+5 °C to + 50 °C
Dew Point (set at factory)	Approx. 5 °C
Dew Point Variations (Static) (Over Full Operation Range)	0.2 K ± 2 K
Power Consumption	170/500 VA
Fuse	10 A
Alarm Output	230/150V DC, 2A, 30 VA, change over contact
Protection Class	IP 20
Housing Material	Stainless Steel
Installation	Wall, Rack or Table Mounting
Approx. Dimensions	510 x 355 x 450 mm
Weight (inc. heat exchangers; approx.)	Max. 32 kg

OPTIONS AND ACCESSORIES

Product No.	Description
4410001	Automatic Condensate Drain 11 LD V 38
4410004	Automatic Condensate Drain AK 20, PVDF
4410005	Condensate Vessel GL 1; glass 0.4 l
4410019	Condensate Vessel GL 2; glass 1 l
9124030104	Peristaltic Pump 230 V, 0.3 l/h, for separate mounting
9124030105	Peristaltic Pump 115 V, 0.3 l/h, for separate mounting
4570008	Mounting Bracket for up to 4 Peristaltic Pumps

DRM Technic

Suppliers of Gas Analysis Equipment

HEAT EXCHANGERS

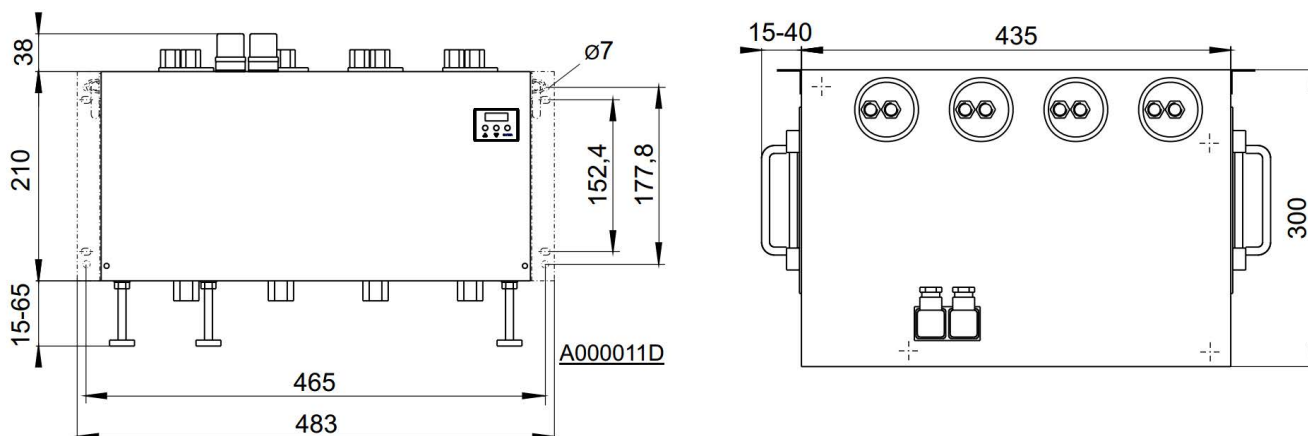
Exchanger	TS / TS-I ²	TG	TV / TV-I ²
Flow Rate v_{\max} ¹	530 l/h	280 l/h	150 l/h
Inlet Dewpoint $T_{e,\max}$ ¹	80 °C	80 °C	65 °C
Gas Inlet Temp. $\vartheta_{G,\max}$ ¹	180 °C	140 °C	140 °C
Max. Cooling Capacity Q_{\max}	450 kJ/h	230 kJ/h	120 kJ/h
Gas Pressure p_{\max}	160 bar	3 bar	3 bar
Pressure drop Δp (v=150 l/h)	8 mbar	8 mbar	8 mbar
Dead Volume V_{tot}	69 ml	48 ml	129 ml
Sample Gas Connections (metric) (US)	G 1/4" NPT 1/4"	GL 14 (6 mm) ³ GL 14 (1/4") ³	DN 4/6 1/4" - 1/6"
Condensate Out Connections (metric) (US)	G 3/8" NPT 3/8"	GL 25 (12 mm) ³ GL 25 (1/2") ³	G 3/8" NPT 3/8"

¹ With maximum heat transfer of the heat exchanger and max. cooling capacity of the cooler

² Types marked "I" have NPT-threads or US tubes, respectively

³ Inner diameter gasket

TECHNICAL DRAWINGS



For more information, please contact our sales department