

DRM Technic

Suppliers of Gas Analysis Equipment



EGK 4 SAMPLE GAS COOLER

A compressor-type cooling system connected to a cooling block, capable of accommodating four individual heat exchangers and serving four separate gas streams at once.

FEATURES

**Compact Design | Easy to Install | CFC-Free
Wall or Rack Mountable | Reliable Cooling System
Heat Exchanger in SS, Glass or PVDF
Accommodates Up to 4 Gas Streams**

SPECIFICATIONS

Product No.	EGK 4
Ready for Operation	Max. 20 min
Cooling Capacity (at 25 °C)	800 kJ/h
Ambient Temperature	+5 °C to + 50 °C
Dew Point (set at factory)	Approx. 5 °C
Dew Point Variations (Static) (Over Full Operation Range)	0.2 K ± 2 K
Power Supply	115/230 V, 3A, 690 VA
Power Consumption	170/500 VA
Fuse	10 A
Alarm Output	Each 230V, 3A, 690 VA change over contact
Protection Class	IP 20
Housing Material	Varnished Sheet Metal
Installation	Wall or Rack Mounting
Approx. Dimensions	510 x 355 x 450 mm
Weight (inc. heat exchangers; approx.)	38 kg

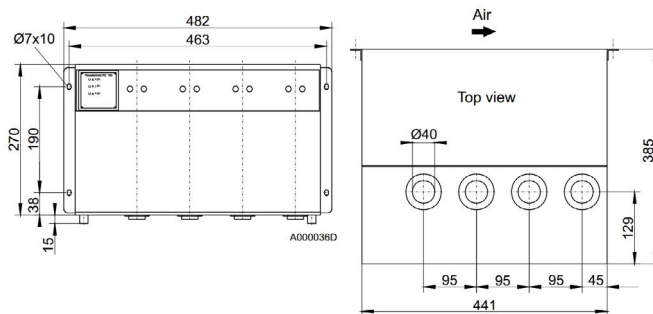
HEAT EXCHANGERS

Exchanger	TS	TG	TV
Flow Rate v_{max}	530 l/h	280 l/h	150 l/h
Inlet Dewpoint $T_{e,max}$	80 °C	80 °C	65 °C
Gas Inlet Temp. $\vartheta_{G,max}$	180 °C	140 °C	140 °C
Max. Cooling Capacity Q_{max}	450 kJ/h	230 kJ/h	120 kJ/h
Gas Pressure p_{max}	160 bar	3 bar	3 bar
Pressure drop Δp ($Q=150$ l/h)	8 mbar	8 mbar	8 mbar
Dead Volume V_{tot}	69 ml	48 ml	129 ml
Sample Gas Connections	G 1/4" i	GL 14	DN 4/6
Condensate Out Connections	G 3/8" i	GL 25	G 3/8" i

OPTIONS AND ACCESSORIES

Product No.	Description
9124030104	Peristaltic Pump, 230 V, for separate mounting
9124030105	Peristaltic Pump, 115 V, for separate mounting

TECHNICAL DRAWINGS



For more information, please contact our sales department