



OFFICIAL UK DISTRIBUTORS FOR:



# DRM Technic

Suppliers of Gas Analysis Equipment



## EGK 2 Ex SAMPLE GAS COOLER

The EGK 2 Ex Sample Gas Cooler is a CFC-free, compressor-type cooling system connected to a cooling block. The cooling block evenly dissipates the heat, thus supporting the highly efficient heat exchangers. Condensate is removed either into condensate vessels or by automatic condensate drains.

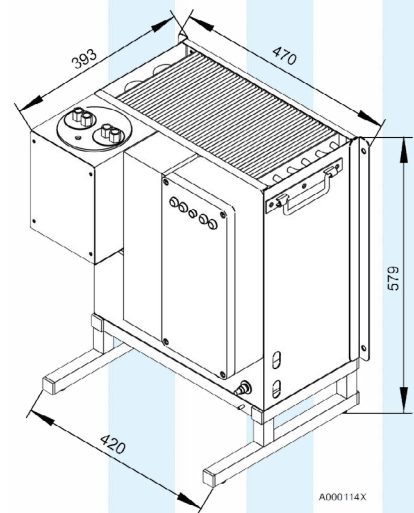
### FEATURES

- ATEX Certificate Zone 1 (Cat. 2G) | CFC-free | Nominal Cooling Capacity 615 kJ/h**
- 1 or 2 Heat Exchangers can be Inserted; up to 4 gas paths | Self-checking with Status Outputs**
- 4 Operation Conditions Displayed | Simple Operation and Test | Easy to Install**

### SPECIFICATIONS

Product No.	EGK 2 Ex
ATEX Class	II 2 G Ex px e mb q [ia] IIC T4 Gb
Ready for Operation	After max. 20 minutes
Cooling Capacity (at 25 °C)	> 615 kJ/h (170 W)
Ambient Temp.	0 °C to 45 °C
Gas Outlet Dewpoint	Approx. 5 °C (preset)
Dew Point Stability (Static)	± 0.2 K (with stainless steel) ± 0.5 K (with PVDF)
Power Supply	230 V, 50 Hz or 115 V, 60 Hz
Power Consumption	250 VA (230 V); 300 VA (115v)
Fuse	Motor Protection Switch
Potential-Free Status Outputs (Fail-safe)	250 V / 3 AA C 24 V / 1 A DC
Protection Class (Electric)	IP 54
Housing Material	Stainless Steel / Polyester
Installation	Upright or Against Wall
Dimensions (H x W x D)	Approx. 700 x 500 x 500 mm
Weight inc. 2 Heat Exchangers	Approx. 37 kg

### TECHNICAL DRAWING



### OPTIONS AND ACCESSORIES

Product No.	Description
91320200xx	Motor Protection Switches
44100xx	Condensate Vessels
DTx / Tx	Heat Exchangers

For more information, please feel free to contact our sales department

CONTACT US: DRM Technic, 4 Cherry Orchard, Newcastle-under-Lyme, Staffordshire, UK, ST5 2UB

Tel: +44 (0) 1782 638491 | Email: sales@drmtechnic.com | Web: www.drmtechnic.com

DRM/EGK2x/  
050416/001

DRM/EGK2x/  
050416/001