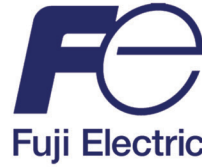




OFFICIAL UK DISTRIBUTORS FOR:



# DRM Technic

Suppliers of Gas Analysis Equipment

**ZPSB Biogas  
Analysis System**

## ZPSB BIOGAS ANALYSIS SYSTEM

The ZPSB Biogas Analyser System is an analyser system specified for applications including landfills, sewage treatment plants, laboratories, and fermenters.



### FEATURES

**Continuous, Simultaneous Measurement of CH<sub>4</sub>, CO<sub>2</sub>, O<sub>2</sub> and H<sub>2</sub>S**  
**Low Operation Cost | High Reliability | High Performance | Flexible and Adaptable**

### SPECIFICATIONS

Measured Components	1 - 4 Measured Components: CH <sub>4</sub> , CO <sub>2</sub> , O <sub>2</sub> and H <sub>2</sub> S
Technology	CH <sub>4</sub> or CO <sub>2</sub> : NDIR   O <sub>2</sub> : Galvanic Cell   H <sub>2</sub> S: Constant Potential Electrolytic Sensor
Measurement Ranges	CH <sub>4</sub> and CO <sub>2</sub> : 0 - 20% vol ... 0 - 100% vol   O <sub>2</sub> : 0 - 10% vol ... 0 - 25% vol H <sub>2</sub> S: 0 - 500 ppm ... 0 - 2000 ppm
Dimensions   Weight	750 (w) x 750 (h) x 500 (d) mm   50kg (based on std. single point wall cabinet)
Structure	Consolidated Polyester Cabinet for Outdoor Use
Power Supply	100 to 240 V AC, 50/60 Hz
Display	Backlit LCD Display
Standard Displayed Information	Measured Components, Concentrations, Alarms, Configuration Menus, Calibrations and Advanced Diagnostics.
Response Time	CH <sub>4</sub> , CO <sub>2</sub> and O <sub>2</sub> - 30 secs   H <sub>2</sub> S - 180 secs
Repeatability (+/-)	CH <sub>4</sub> , CO <sub>2</sub> and O <sub>2</sub> - 0.5% PE   H <sub>2</sub> S - 0.2% PE
Linearity	CH <sub>4</sub> , CO <sub>2</sub> and O <sub>2</sub> - 1% PE   H <sub>2</sub> S - 2% PE
Analog Outputs	4 - 20 mA (one analog output per component)
Bus Outputs	Concentration Measurements and Status Signals (alarms, calibrations), RS485 Modbus RTU
Digital Output	Dry Contact General Alarm, including Analyser Fault and Sampling System Fault
Ambient Temp/Humidity	-5°C to +40°C / 90 % RH Max
Biogas Sampling	PTFE / St/St tube - 4/6mm internal diameter (standard); ATEX Heated Line (opt.)
Biogas Pressure	Sampling Pumps (for low pressure, < 300 mbar g); System with Pressure Reducer (for high pressure; > 300 mbar g)
Single Point System	Continuous Measurement of Single Stream: Sampling, Dryer, Filtration, Bypass, Flow Adjustments, H <sub>2</sub> S absorption option

CONTACT US: DRM Technic, 4 Cherry Orchard, Newcastle-under-Lyme, Staffordshire, UK, ST5 2UB

DRM/ZPSB/  
230617/002

Tel: +44 (0) 1782 638491 | Email: sales@drmtechnic.com | Web: www.drmtechnic.com

DRM/ZPSB/  
230617/002



OFFICIAL UK DISTRIBUTORS FOR:

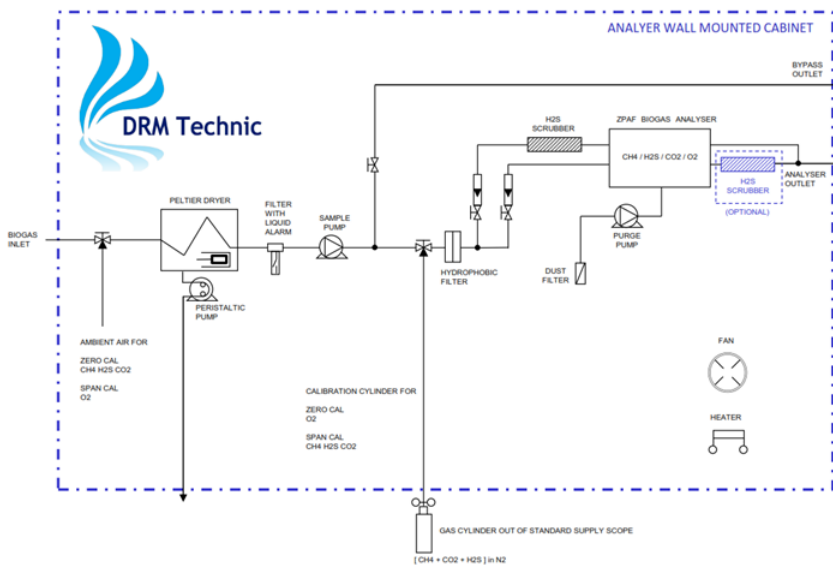


# DRM Technic

Suppliers of Gas Analysis Equipment

**ZPSB Biogas  
Analysis System**

## SYSTEM SCHEMATICS



The system includes the following:

- 10 mtr 120 °C self-regulated ATEX Zone 2 heated line with internal 4/6 mm PTFE tube.
- A wall-mounted cabinet, with: power protection and distribution; analogue outputs and alarm relay output; plus cooling fans, heaters and optional weather protection for outdoors installation.
- A conditioning system, featuring: calibration valves; a PKE52 cooler with peristaltic pump; a P1.1E sample pump; a bypass loop with flow adjustment valve, a WS60 waterstop hydrophobic filter, DK800 flowmeters with adjustment valves, and a H<sub>2</sub>S scrubber with a dust filter air pump.
- A ZPAF analyser, model number ZPAFBL71-NRNRYY-YYYU2DU-YEYAG

## OPTIONS AND ACCESSORIES

### Option for the Standard ZPSB System:

Sample gas pressure, temperature, humidity and dust load can be measured alongside application/process details

### A Multipoint System is also available, featuring the following additional features:

Touchscreen Interface w/ PLC

Configuration of the number of components measured (max. 4)

Configuration of the number of biogas systems analysed (max. 6)

Configuration of measurement times, purge times, and the stream switching sequence

Automatic or manual switching setting

Display of the 4 (max) measured concentrations of the 6 (max) analysed streams

Display of sampling and analyser alarms

Modbus output of the status, alarms and measurement

Analogue Options and Digital Outputs (optional)

**For more information, please contact our sales department**

CONTACT US: DRM Technic, 4 Cherry Orchard, Newcastle-under-Lyme, Staffordshire, UK, ST5 2UB

DRM/ZPSB/230617/002 Tel: +44 (0) 1782 638491 | Email: sales@drmtechnic.com | Web: www.drmtechnic.com

DRM/ZPSB/230617/002