



OFFICIAL UK DISTRIBUTORS FOR:



DRM Technic

Suppliers of Gas Analysis Equipment

ZPA/ZPB/ZPG MULTI-GAS ANALYSERS

Fuji ZPA, ZPB and ZPG analysers are high quality analysers which can measure up to 5 separate gases at once. They can measure NO, SO₂, CO, CO₂, CH₄ and O₂ gases.

ZPA is the general use model, ZPB the high performance model and ZPG the ultra low concentration model. For the gas ranges that each analyser can detect, please see overleaf.



ZPA



ZPB



ZPG

FEATURES

- Simultaneous Measurement of up to 5 gases (4 Infrared Gases plus Oxygen)
- Excellent Long Term Stability
- Fast Response Times
- Compact Size and Simple Operation
- Ultra-low Measurement Capabilities
- Maintenance Reducing Unique Measurement Cell
- Oxygen Measurement Options:
 - Fuel Cell
 - Internal Paramagnetic
 - External Zirconia
- Easy to Read LCD Display with Easy to Use Menu

SPECIFICATIONS

	ZPA	ZPB	ZPG
Mounting	19" Rack	19" Rack	19" Rack
Repeatability	+/- 0.5% FS	+/- 0.5% FS	+/- 0.5% FS
Drift	+/- 2.0% week (zero/span)	+/- 2.0% week (zero/span)	+/- 2.0% week (zero/span)
Flowrate	0.5 l/min (+/- 0.2)	1.0 l/min (+/- 0.2)	0.5 l/min (+/- 0.2)
Inlet/Outlet	1/4" NPT (Female)	1/4" NPT (Female)	1/4" NPT (Female)
Display	4 digit backlit LCD	4 digit backlit LCD	4 digit backlit LCD
Analogue Out	4-20mA DC or 0-1 V DC	4-20mA DC or 0-1 V DC	4-20mA DC or 0-1 V DC
Power Supply	100 to 240V AC 50/60Hz	100 to 240V AC 50/60Hz	100 to 240V AC 50/60Hz
Consumption	Approx. 100VA	Approx. 120VA	Approx. 100VA
Dimensions	483 x 133 x 382 mm	483 x 133 x 382 mm	483 x 133 x 382 mm

CONTACT US: DRM Technic, 4 Cherry Orchard, Newcastle-under-Lyme, Staffordshire, UK, ST5 2UB

DRM/ZPABG/
310816/004

Tel: +44 (0) 1782 638491 | Email: sales@drmtechnic.com | Web: www.drmtechnic.com

DRM/ZPABG/
310816/004



OFFICIAL UK DISTRIBUTORS FOR:



DRM Technic

Suppliers of Gas Analysis Equipment

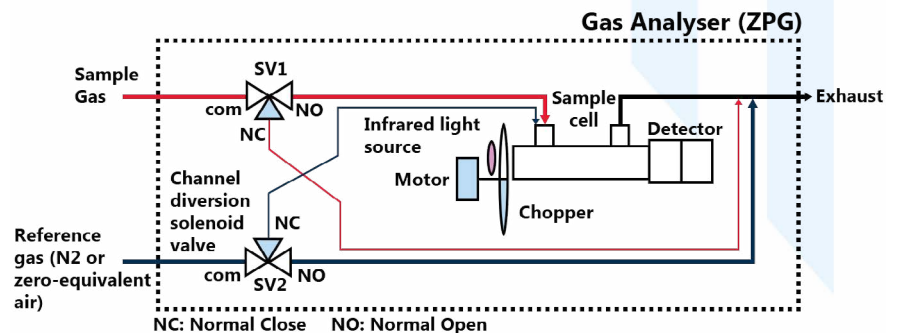
SPECIFICATIONS

Model	Method	Details	Gases and Ranges
ZPA	<p>Single Beam</p>	<p>General Use Model (up to 5 gases), ideal for:</p> <ul style="list-style-type: none"> Heat Treatment Small Incinerator Fruit Storage Combustion Control Emissions Monitoring 	<p>NO: 0-200 / 5000ppm SO₂: 0-200ppm / 10% CO: 0-200ppm / 10% CO₂: 0-100ppm / 100% CH₄: 0-500ppm / 100% O₂ (Cell): 0-10 / 25% O₂ (Para): 0-5 / 100% O₂ (ZrO₂): 0-5 / 25%</p>
ZPB	<p>Single Beam</p>	<p>High Performance Model (up to 4 gases), ideal for:</p> <ul style="list-style-type: none"> Combustion Control Crematoria Control Oxidiser Monitoring Wood Boilers Emissions Monitoring 	<p>NO: 0-50 / 5000ppm SO₂: 0-50 / 5000ppm CO: 0-50 / 5000ppm CO₂: 0-150ppm / 25% O₂ (Cell): 0-10 / 25% O₂ (Para): 0-5 / 100% O₂ (ZrO₂): 0-5 / 25%</p>
ZPG	<p>Dual Beam</p>	<p>Low Concentration Model (up to 5 gases), ideal for:</p> <ul style="list-style-type: none"> Air Separation Plants Gas Manufacturing 	<p>NO: 0-10 / 100ppm SO₂: 0-10 / 100ppm CO: 0-5 / 50ppm CO₂: 0-5 / 50ppm O₂ (Cell): 0-10 / 25% O₂ (Para): 0-5 / 100% O₂ (ZrO₂): 0-5 / 25%</p>

EXCELLENT STABILITY

ZPA uses a new cell design which minimises zero drift down to 0.5% full scale per week.

ZPB/ZPG analysers utilise a unique cell arrangement where the analyser is self checking the zero drift constantly, meaning that they have no zero drift.



CONTACT US: DRM Technic, 4 Cherry Orchard, Newcastle-under-Lyme, Staffordshire, UK, ST5 2UB

DRM/ZPABG/
310816/004

Tel: +44 (0) 1782 638491 | Email: sales@drmtechnic.com | Web: www.drmtechnic.com

DRM/ZPABG/
310816/004