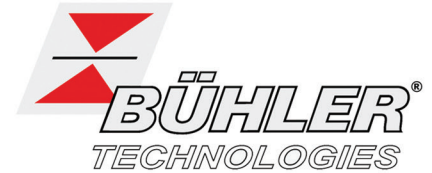
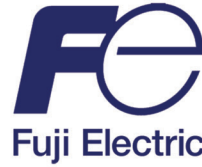




OFFICIAL UK DISTRIBUTORS FOR:



DRM Technic

Suppliers of Gas Analysis Equipment

**ZFK7 MCERTS Zirconia
Analyser - Oxygen**

ZFK7 MCERTS APPROVED EXTRACTIVE ZIRCONIA OXYGEN ANALYSER

The ZFK7 Zirconia Oxygen Analyser is an integrated analyser to be used in combination with an Multigas Analyser. The oxygen concentration is displayed on the Multigas analyser display.



FEATURES

**MCERTS Approved | Extractive ZrO2 Analyser | Measuring Range: 0 ... 5% (min) to 0 ... 25% Vol. (max)
Perfect Stable | No Consumable Requirements**

SPECIFICATIONS

Product No.	ZFK7
Repeatability	+/- 0.5% FS or less
Zero Drift	+/- 1.0% FS or less per week
Span Drift	+/- 2.0% FS or less per week
Response Time	20 seconds
Mounting Type	Indoor wall mounted
Temperature Control	Built-in
Gas Flowrate	0.5 l/min
Analogue Outputs	4-20mA DC or 0-1V DC (direct to connected multigas analyser)
Power Supply	100 to 240V AC, 50/60 Hz
Consumption	Approx. 100 VA
Outer Dimensions	141 x 170 x 189.5 mm
Weight	Approx. 3kg

MCERTS and TuV APPROVED

with ZRE Analyser



CO	0 ... 125 mg/m ³ & 0 ... 1250 mg/m ³
NO	0 ... 268 mg/m ³ & 0 ... 2680 mg/m ³
SO ₂	0 ... 571 mg/m ³ & 0 ... 5710 mg/m ³
O ₂	0 ... 25 %vol & 0 ... 10 vol%

CONTACT US: DRM Technic, 4 Cherry Orchard, Newcastle-under-Lyme, Staffordshire, UK, ST5 2UB

DRM/ZFK7/
310816/004

Tel: +44 (0) 1782 638491 | Email: sales@drmtechnic.com | Web: www.drmtechnic.com

DRM/ZFK7/
310816/004



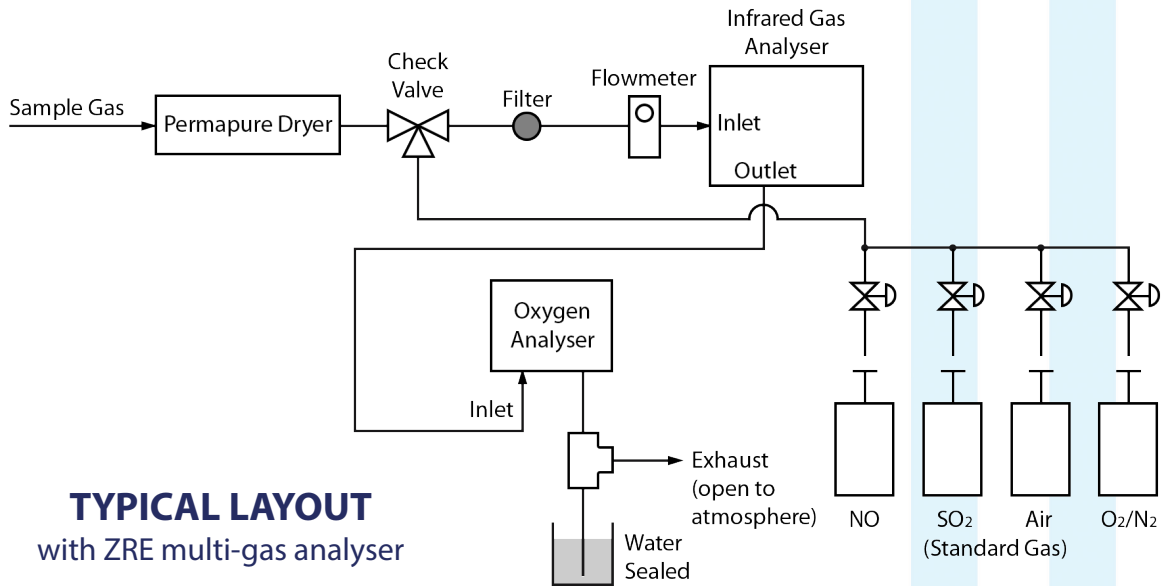
OFFICIAL UK DISTRIBUTORS FOR:



DRM Technic

Suppliers of Gas Analysis Equipment

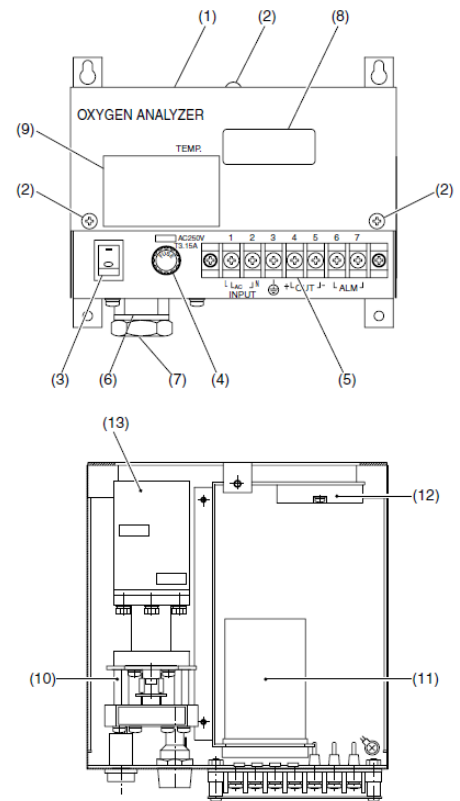
**ZFK7 MCERTS Zirconia
Analyser - Oxygen**



TYPICAL LAYOUT
with ZRE multi-gas analyser

DESIGN AND FEATURES

1	Case Cover	Protects the internal components
2	Retaining Screw	Fix the case cover
3	Main Switch	Turn On to supply power to the interior
4	Fuse	250 V AC / 3.15 A
5	Terminal Board	Used to connect input/output
6	Sample Gas Inlet	Connect tube for gas to be measured
7	Sample Gas Outlet	Connect tube for discharging measured gas
8	Temperature Indicator	Indicates the sensor temperature
9	Specification Nameplate	Indicates type and specifications
10	Oxygen Sensor	Provides output according to oxygen concentration in sample gas
11	Temperature Controller	Controls heater of oxygen sensor at operating temperature of 800 °C
12	Relay	Control relay for heater
13	Gas Feeding Case	Introduces gas to be measured to the oxygen sensor



CONTACT US: DRM Technic, 4 Cherry Orchard, Newcastle-under-Lyme, Staffordshire, UK, ST5 2UB