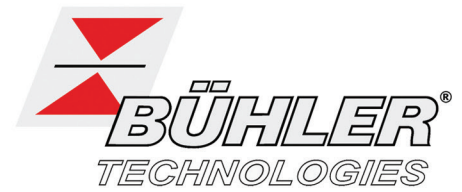




OFFICIAL UK DISTRIBUTORS FOR:



DRM Technic

Suppliers of Gas Analysis Equipment

CV-x SERIES CONDENSATE VESSELS

The CV-x series Condensate Vessels are used to store condensate after being drained from a sample gas conditioning system. It can be drained easily via a ball valve, has a removal top cover and the condensate level is always visible.

They are available in three sizes: 3 litre (CP-3), 6.5 litre (CP-6) and 10 litre (CP-10).



FEATURES

- Available in 3l, 6.5l and 10l capacities
- Chemically resistant materials
- Removable top cover
- Robust mounting bracket
- Level switch available

SPECIFICATIONS

Overall

Materials	PVC, PVDF, PP, Viton
Fitting	G3/8 and G1/4 for condensate inlet and ventilation; G1/4 for outlet
Max. Media Temp.	60 °C

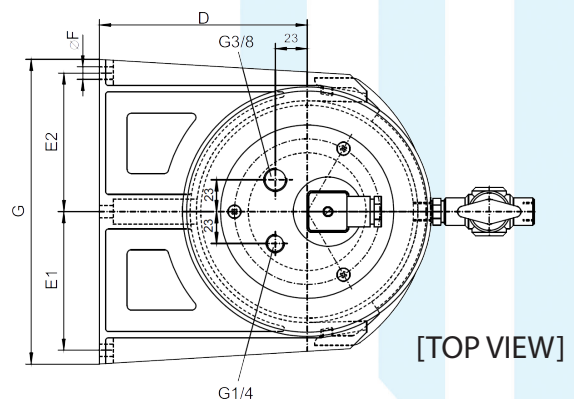
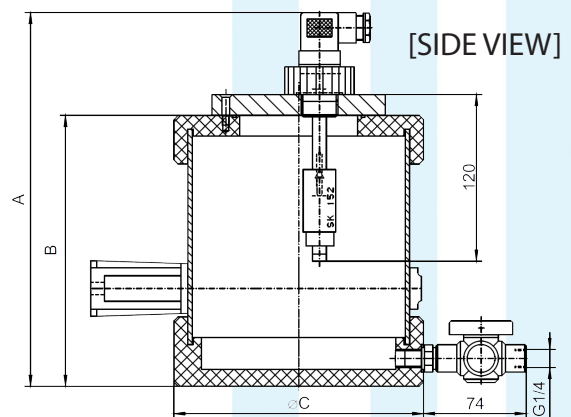
Level Switch

Max. Operating Voltage	230 V
Max. Switching Current	0.5 A
Max. Contact Load	10 VA

OPTIONS AND ACCESSORIES

4410088	CV-3 vessel with level switch
4410096	CV-6 vessel with level switch
4410097	CV-6 vessel without level switch
4410094	CV-10 vessel with level switch
4410095	CV-10 vessel without level switch
44100943	Level switch

TECHNICAL DRAWINGS



Type vessel	A (mm)	B (mm)	C (mm)	D (mm)	E1 (mm)	E2 (mm)	F (mm)	G (mm)
V = 3l	269	195	Ø180	150	100	100	3 x Ø9	220
V = 6,5l	344	270	Ø225	175	120	150	2 x Ø13	310
V = 10 l	454	380	Ø225	175	120	150	2 x Ø13	310

CONTACT US AT: DRM Technic Ltd, Unit 18 Trentham Lakes Technology Park, Staffordshire, UK, ST4 8LJ

DRM/CVx/091015/001 Tel: 01782 326632 | Email: sales@drmtechnic.com | Web: www.drmtechnic.com

DRM/CVx/091015/001