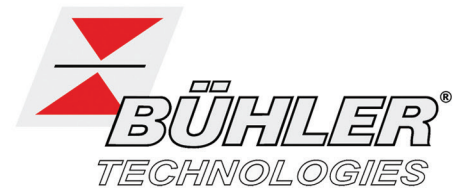




OFFICIAL UK DISTRIBUTORS FOR:



# DRM Technic

Suppliers of Gas Analysis Equipment

## AUTOMATIC CONDENSATE DRAINS

A range of condensate drains for use in pressurized sample conditioning systems. They are specially designed to have low friction and a high lifetime.

The AK 20 is the standard drain; the AK 5 the compact drain; and the 11 LD V 38 the heavy duty drain.



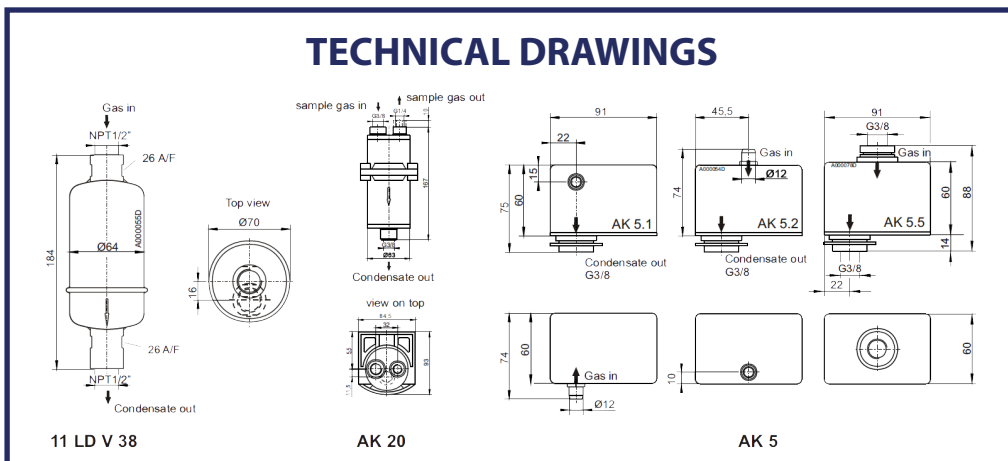
### FEATURES

Easy to assemble | Long-life | Available in a variety of materials | High reliability of operation

### SPECIFICATIONS

Product No.	11 LD V 38	AK 20	AK 5
<b>General</b>			
Max. Operating Pressure	18 bar / 260 psi	2 bar / 29 psi	2 bar / 29 psi
Max. Operating Temp.	200 °C / 390 °F	200 °C / 390 °F	200 °C / 390 °F
Weight	0.8 kg	0.3 kg with mounting frame (gas out is closed)	0.25 kg
Material	Stainless Steel 1.4306, 1.4401 and 1.4301	PVDF	PVDF
<b>Range of Use in Explosive Atmosphere</b>			
Zone	1	1	1
Group	IIC	IIB	IIB

### TECHNICAL DRAWINGS



### OPTIONS

Part No.	Description
4510006	AK 5.1 (horizontal inlet)
4510008	AK 5.1 (vertical inlet)
4510028	AK 5.5
4410004	AK 20
4410001	11 LD V 38

CONTACT US AT: DRM Technic Ltd, Unit 18 Trentham Lakes Technology Park, Staffordshire, UK, ST4 8LJ

DRM/AK11LD/091015/001 Tel: 01782 326632 | Email: sales@drmtechnic.com | Web: www.drmtechnic.com DRM/AK11LD/091015/001